

Safety handwheels

friction bearing

SPECIFICATION

Types

- Type **A**: without handle
- Type **D**: with revolving steel handle

Coding

- Version **ZI**: engage by pulling
- Version **DR**: engage by pushing

Aluminium

- Hub machined
- Rim turned

Rim concentric and square to bore < 0.4

Wheel body

- Rim high-polished
- unmachined body matt shot-blasted

Cylindrical Revolving handles GN 598 (see page 573)

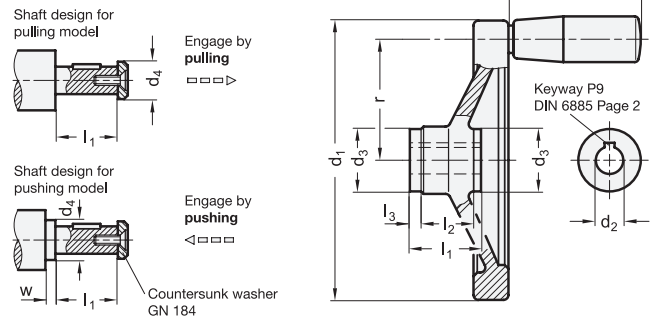
Steel, plastic coated
black, matt



INFORMATION

The use of coupling attachments in handwheels other than specified is also possible.

- Instructions for safety handwheels (see page 133)



* Complete with Coding of the Handwheels (ZI or DR)

ZI Engage by pulling
DR Engage by pushing

GN 321.4-A

Description	d1	d2 H7	d3	d4 max.	l1 max.	l2	l3	w min.	Coupling	⚖
GN 321.4-125-K12-A-*	125	K 12	28	17	28.5	18	5	4	GN 000.4-1	377
GN 321.4-140-K12-A-*	140	K 12	28	17	28.5	19	5	4	GN 000.4-1	466
GN 321.4-140-K14-A-*	140	K 14	32	21	32.5	19	6	4	GN 000.4-2	440
GN 321.4-140-K16-A-*	140	K 16	32	21	32.5	19	6	4	GN 000.4-2	420
GN 321.4-160-K14-A-*	160	K 14	32	21	32.5	20	6	4	GN 000.4-2	644
GN 321.4-160-K16-A-*	160	K 16	32	21	32.5	20	6	4	GN 000.4-2	631
GN 321.4-200-K18-A-*	200	K 18	38	26	36.5	24	6	4	GN 000.4-3	1210
GN 321.4-200-K20-A-*	200	K 20	38	26	36.5	24	6	4	GN 000.4-3	1190
GN 321.4-250-K22-A-*	250	K 22	45	30	47.5	28	12	4	GN 000.4-4	1800

GN 321.4-D

Description	d1	d2 H7	d3	d4 max.	l1 max.	l2	l3	l4 ≈	r	w min.	∅ Handle	Coupling	⚖
GN 321.4-125-K12-D-*	125	K 12	28	17	28.5	18	5	67.5	54	4	23	GN 000.4-1	559
GN 321.4-140-K12-D-*	140	K 12	28	17	28.5	19	5	67.5	61	4	23	GN 000.4-1	651
GN 321.4-140-K14-D-*	140	K 14	32	21	32.5	19	6	67.5	61	4	23	GN 000.4-2	630
GN 321.4-140-K16-D-*	140	K 16	32	21	32.5	19	6	67.5	61	4	23	GN 000.4-2	610
GN 321.4-160-K14-D-*	160	K 14	32	21	32.5	20	6	82.5	71	4	26	GN 000.4-2	937
GN 321.4-160-K16-D-*	160	K 16	32	21	32.5	20	6	82.5	71	4	26	GN 000.4-2	924
GN 321.4-200-K18-D-*	200	K 18	38	26	36.5	24	6	82.5	89	4	26	GN 000.4-3	1335
GN 321.4-200-K20-D-*	200	K 20	38	26	36.5	24	6	82.5	89	4	26	GN 000.4-3	1318
GN 321.4-250-K22-D-*	250	K 22	45	30	47.5	28	12	92.5	113	4	28	GN 000.4-4	1916

Weight coding ZI

